

PDU 4/4

QUICK START GUIDE

Thinklogical's® PDU 4/4 Power Distribution Unit is an AC Power Switch that remotely controls power to up to eight devices per unit. The PDU 4/4 communicates with its control terminal using a serial interface and provides control to all devices with simple commands to turn power off or on to reboot any one port, multiple ports, port groups or all devices.

- Power restarts can be sequenced using programmed time delays to minimize surge or allow drive spin-up time.
- Your configuration can be easily expanded with one serial cable for each PDU 4/4 unit added .
- A single serial interface integrates the control of all PDU 4/4s in your application.
- Up to sixteen PDU 4/4s can be cascaded together to control multiple systems from one common user interface.
- Each outlet individually switches up to 10 Amperes maximum with each bank rated at 15 Amperes total.
- Each PDU 4/4 utilizes two banks of four outlets and rear panel LEDs display the status of each port.

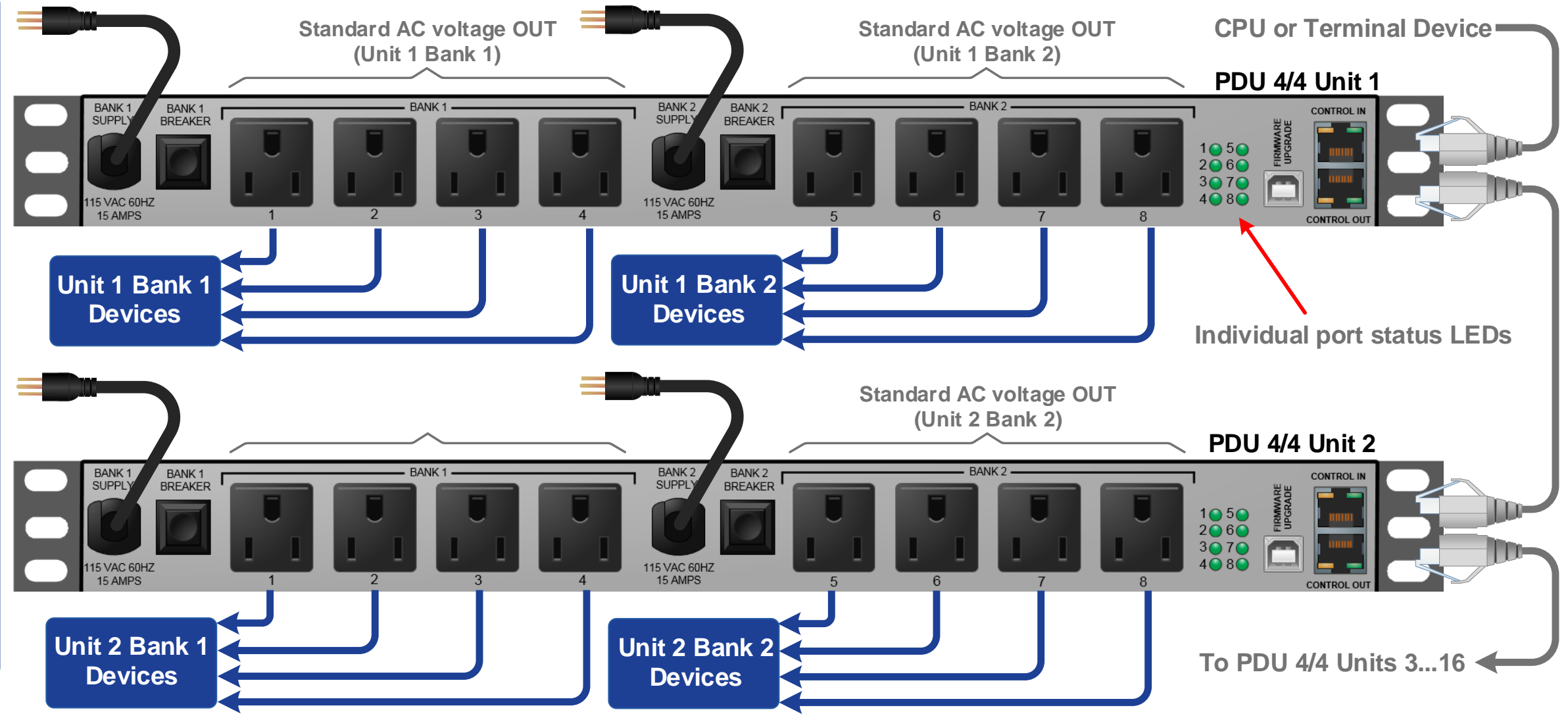


Each PDU4/4 system includes the following features:

- Eight individually-controlled AC power outlets
- Dual 15 Amp (max) circuits, four outlets per circuit
- Redundant DC power supplies for built-in I/O and control circuits
- Individually programmable Reboot Time Delay on each outlet
- Solid state zero-crossing relays to minimize power spikes
- Easily expandable configuration
- Password Security
- User-definable Port Names and Port Groups
- Front panel display for easy system set up and configuration
- Current monitoring of each port.

The PDU 4/4 is designed for desktop or 19" rack mounting (1U).

Software updates available at <https://www.thinklogical.com>

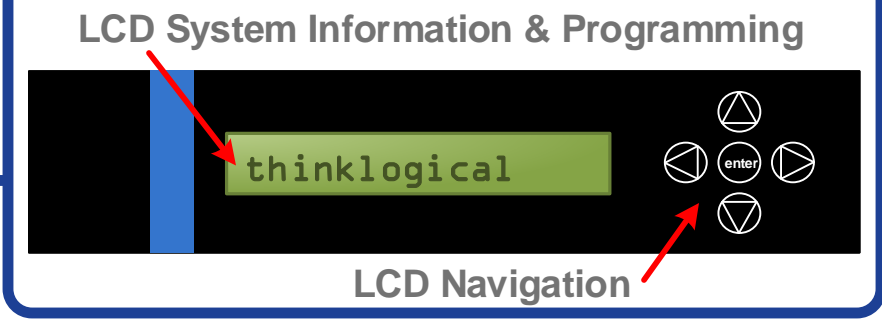


Once connected to the PDU 4/4's **CONTROL IN** serial port, the following access and programming commands may be used:

Press 'Enter' on the keyboard to establish communication. Your display will show "Password:" The factory-set password is **pass** and may be changed by the System Administrator. When Logged In, the command prompt will show "PDU 4/4>". Commands are executed from the Serial Terminal.

- The **on** command is used to **turn on a port or group of ports**. Any port may be referred to by either Port Numbers or Port Names. All ports with identical port names will be turned on together (as a Port Group).
- The **off** command is used to **turn off a port or group of ports**.
- The **reboot output** command is used to 'reboot' a server or device by cycling power to a port or ports. Refer to the user's manual for further commands.

The front-panel LCD display should be visible and accessible for system setup. The front panel buttons are used to configure the unit and to review existing PDU 4/4 configurations.



thinklogical
A BELDEN BRAND

PHONE: 1-800-291-3211
WEBSITE: www.thinklogical.com
EMAIL: support@thinklogical.com



Visit us online at www.thinklogical.com for more product information, current updates and the complete line of Thinklogical® products.

Copyright © 2021. All rights reserved. Printed in the U.S.A. All trademarks and service marks are the property of their respective owners.